



PEDESTRIAN DOUBLE STACKER D10

CAPACITY 1000 KG | SERIES 1163

Safety

The D10 benefits from a long tiller with a low mounting point ensuring a large safety clearance between operator and chassis. Creep speed, proportional speed and lift functions provide optimum safety during load transfer or when manoeuvring in tight corners.

Performance

The D10 can handle two pallets at once with a maximum total capacity of 2000 kg. The innovative castor wheels ensure the optimum mix of stability and traction in all situations. The OptiLift® mast control provides accurate, fully proportional lifting, and assures quiet smooth operation.

Comfort

All controls on the ergonomic tiller head can be easily operated by either hand. A Creep speed button offers utmost maneuverability in confined areas. Generous storage compartments for work equipment, such as shrink wrap, are also available.

Reliability

Rugged construction makes the D10 a Double Stacker that can be relied on. The battery cover, as well as the robust chassis are remarkably solid and resistant to damage. The sturdy mast and durable fork carriage are made out of high-grade rolled steel to ensure easy and safe load handling.

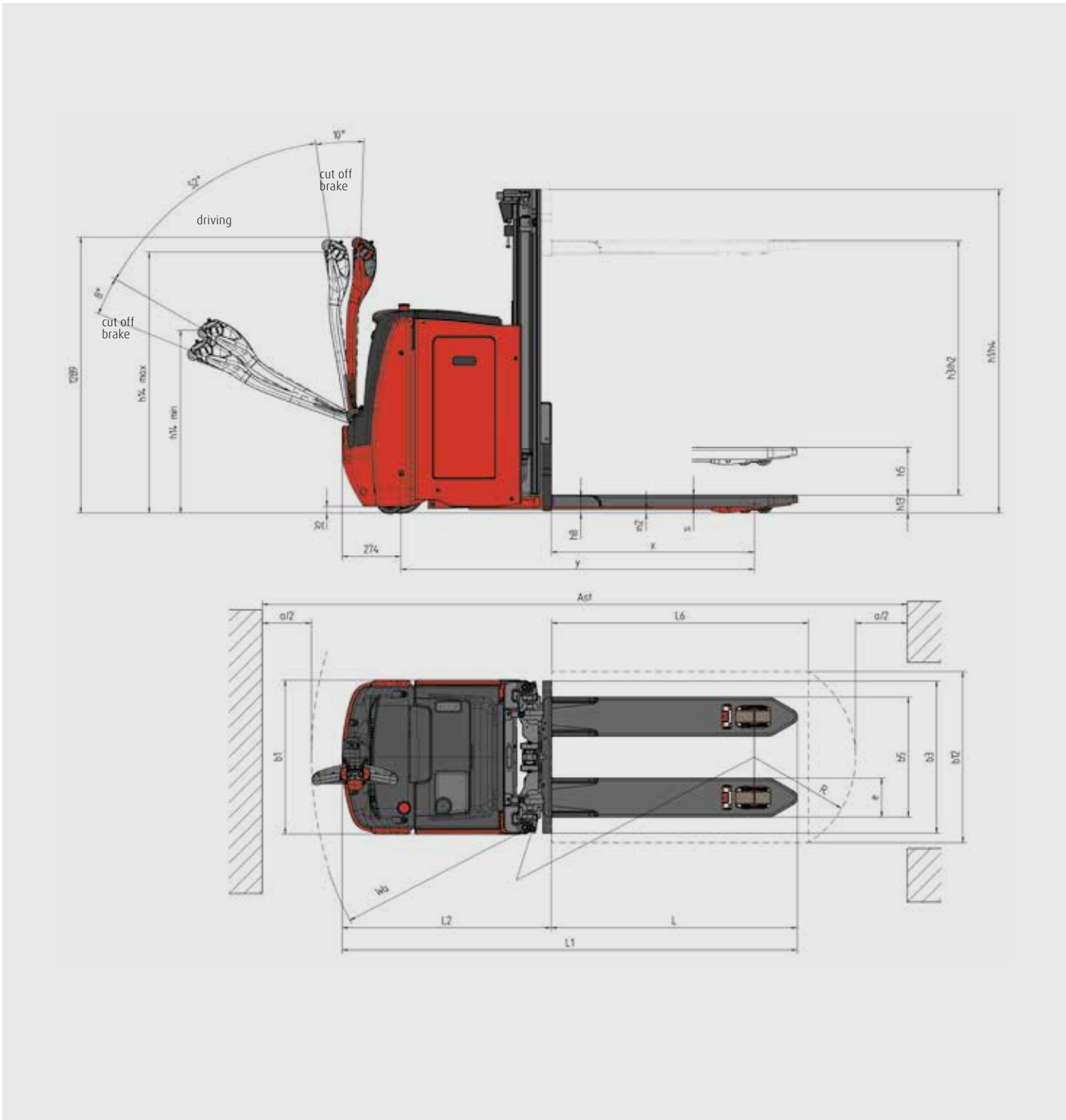
Service

A maintenance-free AC motor reduces service costs. Operating parameters can be individually adjusted to the operator's need via the CAN-bus system. The service engineer has fast, easy access, not only to truck data, via the CAN-bus system, but also to all main internal components.

TECHNICAL DATA

ACCORDING TO VDI 2198

Characteristics	1.1	Manufacturer		LINDE	
	1.2	Model design		D10	
	1.3	Power unit		Battery	
	1.4	Operation		Standing	
	1.5	Load capacity / Load	Q (t)	1.0	
	1.6	Load centre distance	c (mm)	600	
	1.8	Axle centre to fork face	x (mm)	949	
	1.9	Wheelbase	y (mm)	1653	
	Weight	2.1	Service weight	(kg)	1181
2.2		Axle load with load, front / rear	(kg)	1276 / 1884	
2.3		Axle load without load, front / rear	(kg)	889 / 292	
Wheels and types	3.1	Tyres rubber, SE, pneumatic, polyurethane		R + P / P	
	3.2	Tyre size, front		230 x 90	
	3.3	Tyre size, rear		85 x 85 (bogies 85 x 60)	
	3.4	Auxiliary wheels (dimensions)		2 x 125 x 60	
	3.5	Wheels, number front / rear (x = driven)		1x + 1/2 + 1x 1/4	
	3.6	Track width, front	b ₁₀ (mm)	502	
	3.7	Track width, rear	b ₁₁ (mm)	380	
Dimensions	4.2	Height of mast, lowered	h ₁ (mm)	1465 (2024S)	
	4.3	Free lift	h ₂ (mm)	150 (2024S)	
	4.4	Lift	h ₃ (mm)	2024 (2024S)	
	4.5	Height of mast, extended	h ₄ (mm)	2544 (2024S)	
	4.6	Initial lift	h ₅ (mm)	125	
	4.9	Height of tiller arm in operating position, min / max	h ₁₄ (mm)	855 / 1220	
	4.15	Height, lowered	h ₁₃ (mm)	86	
	4.19	Overall length	l ₁ (mm)	2129	
	4.20	Length to fork face	l ₂ (mm)	979	
	4.21	Overall width	b ₁ / b ₂ (mm)	720	
	4.22	Fork dimensions DIN ISO 2331	s / e / l (mm)	50 x 180 x 1150	
	4.24	Width of fork carriage	b ₃ (mm)	710	
	4.25	Fork spread	b ₅ (mm)	540 / 560	
	4.26	Distance between wheel arms / loading surfaces	b ₄ (mm)	210 / 230	
	4.32	Ground clearance, centre of wheelbase	m ₂ (mm)	20	
	4.34.1	Aisle width for pallets 1000 x 1200 crossways	A ₃₁ (mm)	2745	
	4.34.2	Aisle width with pallet 800 x 1200 along forks	A ₃₁ (mm)	2870	
4.35	Turning radius	W ₉ (mm)	2070		
Performance	5.1	Travel speed, with / without load	(km / h)	6.0 / 6.0	
	5.2	Lifting speed, with / without load	(m / s)	0.050 / 0.061	
	5.2	Main lifting speed	(m / s)	0.14 / 0.22	
	5.3	Initial lowering speed	(m / s)	0.102 / 0.082	
	5.3	Main lowering speed	(m / s)	0.488 / 0.197	
	5.8	Maximum climbing ability		0 kg / 1000 kg / 2000 kg	
	5.9	Acceleration time, with / without load	(s)	7.6 / 6.7	
	5.10	Service brake		Electro-magnetic	
	Drive	6.1	Drive motor rating S2 60 min	(kW)	1.5
		6.2	Lift motor rating at S3 15 %	(kW)	2.2
6.3		Battery according to DIN 43531 / 35 / 36 A, B, C, no		3PZs SL	
6.4		Battery voltage / rated capacity (5h)	(V) / (Ah)	24 / 375	
6.5		Battery weight (± 5 %)	(kg)	290	
6.6		Power consumption according to VDI cycle	(kWh / h)	0.483	
8.1		Type of drive unit		LAC	
10.7	Sound pressure level LpAZ (at the driver's seat)	(dB(A))	62		



MAST TABLES

Mast type	1574S	1724S	2024S	2424S	1574D	1724D	2024D	2424D	2136T
h_1	1240	1315	1465	1665	1240	1315	1465	1665	1165
h_2	1315	1390	1540	1740	/	/	/	/	/
h_3	150	150	150	150	720	795	945	1145	645
h_4	1574	1724	2024	2424	1574	1724	2024	2424	2136
h_5	2094	2244	2544	2944	2094	2244	2544	2944	2662
Other masts on request. S = Standard, D = Duplex, T = Triplex									

STANDARD EQUIPMENT / OPTIONAL EQUIPMENT

STANDARD EQUIPMENT

720mm chassis width smaller than a pallet
Long tiller with a low mounting point
Linde OptiLift®: proportional control on the tiller
Power assisted steering with variable steering resistance
Automatic speed reduction when cornering
1.5kW AC motor (maintenance-free)
Vertical 3PzS battery compartment
Electrohydraulic emergency brake acting proportionally to the load weight
Key switch or Log in PIN code (no extra)
Work station with storage compartments
CAN bus technology
Multifunction coloured display hour meter, maintenance indication, battery discharge indicator and internal fault code indication
Polyurethane drive wheel
Polyurethane single load wheels
Mast protection: polycarbonate or mesh wired (no extra)
Protection: -10° C

OPTIONAL EQUIPMENT

Hydraulic castor wheels
Drive wheels: cushion, cushion with tread, non-marking, or wet grip
Load wheels: tandem polyurethane or single/ tandem polyurethane greasable load wheels
Alternative fork dimensions
Load backrest (h=1000mm)
Low speed option when initial lift lowered
Lift end stop sensor
Soft landing of forks
Accessory support
Support data terminal incl. power supply cable 24V
Support clipboard DIN A4
Support for scanner
Built-in charger
Lateral 3PzS battery compartment
Lateral 4PzS battery compartment
Battery stand – fixed and mobile
Cold store protection: -35° C
Working lamp LED front
Other options available on request

Linde Connected Solutions:

ac: access control (PIN or RFID Dual),
an: usage analysis and dt: crash detection

Data transfer online

Data transfer WIFI

Bluetooth USB Stick

Li-ION technology:

3PzS compartment with 4.5kWh - 9kWh (205Ah - 410Ah)

Li-ION charger:

24V-Charger v255: 4.5kWh (full charging time 1h 30min) -
9.0kWh (2h 40min)



FEATURES

Lifting systems

- OptiLift® mast controls provides accurate, fully proportional lifting as well as smooth, quiet operation
- Soft landing of forks protects load when lowering
- Initial lift independent of main lift
- Max. lift height up to 2424 mm
- Max. load capacity in double-stacking use: 1000 kg on forks and 1000 kg on load arms

Handling

- 720 mm chassis width narrower than a pallet
- Compact and robust chassis for easy handling in narrow spaces
- A creep speed button ensures high maneuverability in confined areas when operating with the tiller in an upright position
- Long tiller arm reduces steering effort
- Pallet stop for fast stacking of two pallets



Braking

- Highly efficient mechanical brake when the tiller is fully raised or lowered
- Automatic electric braking on releasing the butterfly control or reversing direction
- Truck slows down prior to stopping - remaining under complete control at all times
- No roll-back when starting on a slope



Workstation

- Multifunctional instrument display with easy ergonomic menu
- Truck access control by PIN code or ignition key
- Storage compartment for work gloves, writing utensils, etc
- Emergency isolator

Tiller and tiller head

- Long tiller with a low mounting point provides a large safety clearance between operator and chassis
- All controls are ergonomically integrated in the tiller head
- Easy-to-reach control buttons permits fingertip operation for utmost efficiency
- Wrap-around hand protection
- Twin grip steering control, operable with either hand for easy handling

Steering system

- Proportional speed control varies truck speed automatically, in relation to tiller angle for safe, comfortable, and productive operation
- End-of-stroke resistance on the tiller avoids accidental, abrupt braking
- Soft, fold-back tiller when returning into an upright position, avoiding the tiller from snapping on to the motor cover

AC Motor

- Compact, efficient and maintenance-free 1.5 kW AC motor
- Max. travel speed: 6 km/h (adjustable)
- Innovative castor wheel design offers maximum traction and stability for demanding applications, such as, loading/unloading

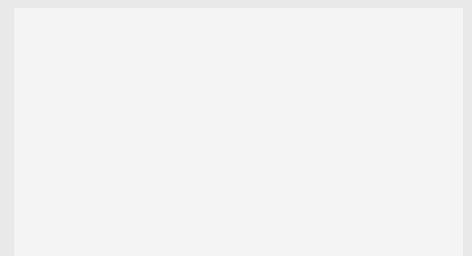


Comprehensive energy solutions

- 24V batteries: capacities from 345 Ah (3PzS) to 500 Ah (4PzS)
- Li-ION batteries with 4.5 kWh (205 Ah) and 9.0 kWh (410 Ah)
- Optional built-in charger available
- Optional lateral change including rollers inside the battery compartment and a lever to aid battery change

Subject to modification in the interest of progress. Illustrations and technical details could include options and not binding for actual constructions. All dimensions subject to usual tolerances.

Presented by:



Linde Material Handling GmbH
Postbox 10 0136 | 63701 Aschaffenburg | Germany
Phone + 49 6021 99 0 | Fax + 49 6021 99 15 70
www.linde-mh.com | info@linde-mh.com

Printed in Germany 782.e.1.1018.IndA.Ki