



SEATED PALLET TRUCK T20 RW | T25 RW

CAPACITY 2000 - 2500 KG | SERIES 1154

Safety

High performance combined with safety. This pallet truck is equipped with three independent braking systems and a four point configuration ensures inherent stability. The operator is always safely within the chassis's perimeter and the smooth chassis contours eliminate the sharp edges.

Performance

The Linde seated rider pallet truck is a multi-purpose truck designed for high productivity. The powerful 3kW AC drive motor offers speed up to 12km/h to fulfill rapid distance pallet transfers. The 4 point configuration ensures perfect stability of the truck. This all adds up to efficient and safe transfer of loads up to 2.5t.

Comfort

The 90° sitting position provides excellent all-round visibility over the environment. The spacious operator's compartment and the padded armrest offer a stress-free working environment for optimum efficiency

and productivity. All the operating controls incorporated in the console are easily accessible. The sitting position and the floorplate are adjustable to suit every operator's preferences.

Reliability

Rugged construction and the use of tried and tested components ensures this is a truck that can be relied on. Motor, sub-components and electronics are all protected within the robust chassis structure. These features guarantee a longer operating life, delivering safe, efficient, and productive load handling.

Service

Efficiency at work and efficiency in servicing with cost effective maintenance routines. Easy access to all components and maintenance-free technology also play their part in increasing truck up-time and availability. CAN bus connectivity provides a computerized diagnostic system for rapid analysis to ensure maintenance intervals are also minimized.

TECHNICAL DATA

ACCORDING TO VDI 2198

				LINDE	LINDE
				T20 RW	T25 RW
Characteristics	1.1	Manufacturer		LINDE	LINDE
	1.2	Model design		T20 RW	T25 RW
	1.3	Power unit		Battery	Battery
	1.4	Operation		Seat	Seat
	1.5	Load capacity / Load	Q (t)	2.0	2.5
	1.6	Load centre distance	c (mm)	600	800
	1.8	Axle centre to fork face	x (mm)	900 / 965	1350 / 1415
	1.9	Wheelbase	y (mm)	1552 / 1622	2002 / 2072
	Weight	2.1	Service weight	(kg)	997
2.2		Axle load with load, front / rear	(kg)	1138 / 1859	1517 / 2059
2.3		Axle load without load, front / rear	(kg)	751 / 246	830 / 246
Wheels and types	3.1	Tyres rubber, SE, pneumatic, polyurethane		V + P / P	V + P / P
	3.2	Tyre size, front		Ø 254 x 102	Ø 254 x 102
	3.3	Tyre size, rear		Ø 85 x 105 (2 x Ø 85 x 80)	Ø 85 x 105 (2 x Ø 85 x 80)
	3.5	Wheels, number front/rear (x = driven)		1x + 1/2 (1x+1/4)	1x + 1/2 (1x+1/4)
	3.6	Track width, front	b ₁₀ (mm)	699	699
	3.7	Track width, rear	b ₁₁ (mm)	395	395
	Dimension	4.4	Lift	h ₃ (mm)	125
4.8		Height of seat/stand on platform	h ₇ (mm)	1166	1166
4.15		Height, lowered	h ₁₃ (mm)	88	88
4.19		Overall length	l ₁ (mm)	1970	2420
4.20		Length to fork face	l ₂ (mm)	820	820
4.21		Overall width	b ₁ / b ₂ (mm)	970	970
4.22		Fork dimensions DIN ISO 2331	s / e / l (mm)	55 x 165 x 1150	55 x 165 x 1600
4.25		Fork spread	b ₅ (mm)	520 / 540 / 560 / 680	520 / 540 / 560 / 680
4.32		Ground clearance, centre of wheelbase	m ₂ (mm)	30	30
4.34.1		Aisle width for pallets 1000 x 1200 crossways	A ₃₁ (mm)	2568	2 x 1200 x 800
4.34.2		Aisle width with pallet 800 x 1200 along forks	A ₃₁ (mm)	2260	3055
4.35		Turning radius	W ₂ (mm)	1760 / 1825	2205 / 2270
Performance		5.1	Travel speed, with / without load	(km/h)	10 / 12
	5.2	Lifting speed, with / without load	(m/s)	0.039 / 0.048	0.024 / 0.033
	5.3	Lowering speed, with / without load	(m/s)	0.077 / 0.078	0.074 / 0.053
	5.8	Maximum climbing ability, with / without load	(%)	17.0 / 20.0	15.0 / 20.0
	5.9	Acceleration time, with / without load	(s)	5.6 / 4.3	5.7 / 4.3
	5.10	Service brake		Electro-magnetic	Electro-magnetic
Drive Unit	6.1	Drive motor rating S2 60 min	(kW)	3	3
	6.2	Lift motor rating at S3 15%	(kW)	1.2	1.5
	6.3	Battery according to DIN 43531/35/36 A, B, C, no		43 535 / B 3PzS	43 535 / B 3PzS
	6.4	Battery voltage / rated capacity (5h)	(V) / (Ah)	24 / 345 / 375 [23 / 205]	24 / 345 / 375 [23 / 205]
	6.4.a	Battery energy content	(kWh)	7.2 [4.5]	7.2 [4.5]
	6.5	Battery weight (±5%)	(kg)	287 [312]	287 [312]
	6.6	Power consumption according to VDI cycle	(kWh/h)	0.6	0.6
	6.7	Turnover output	(t/h)	148.0	177.5
	6.8	Energy consumption at turnover output	(kWh/h)	1.62	1.88
	8.1	Type of drive unit		LAC	LAC
10.7	Sound pressure level LpAZ (at the driver's seat)	(dB(A))	68	68	

STANDARD EQUIPMENT / OPTIONAL EQUIPMENT

STANDARD EQUIPMENT

Chassis width 970 mm

PIN Code access

Multifunction coloured display hour meter, maintenance indication, battery discharge indicator and internal fault code indication

Automatic speed reduction when cornering

ECO-Mode with up to 12% energy savings

Drive wheel position mentioned in display

CAN bus technology

Drive wheel Polyurethane

Single load wheels Polyurethane

Lateral battery change 3PzS available with an ergonomic battery un/locking with lever and rollers (I₂ = 820 mm)

Width over fork carriage: 520 mm, 540 mm, 560 mm and 680 mm

Standard Fabric Seat

Protection -10°C

OPTIONAL EQUIPMENT

Drive wheels: cushion rubber, synthetic cushion rubber non marking, wet grip

Load wheels: tandem polyurethane, tandem polyurethane greasable, single polyurethane greasable

Lateral battery change 3 PzS/4 PzS available with an ergonomic battery un/locking with lever and rollers (I₂ = 1112 mm)

Leather seat and seat heating

Additional head support

Load backrest with h = 1613 mm and h = 1919 mm

Speed reduction if forks lowered

Support Clipboard DIN A4 and panoramic mirror

Support data terminal incl. power supply cable 24V

Mobile or Fixed battery stand

Automatic battery watering system

Cold store protection -35°C

Working lamp LED front (only in combination with load backrest or pole)

Other options available on request

Linde Connected Solutions:

ac: access control (PIN or RFID Dual),

an: usage analysis and dt: crash detection

Data transfer Online

Data transfer WIFI

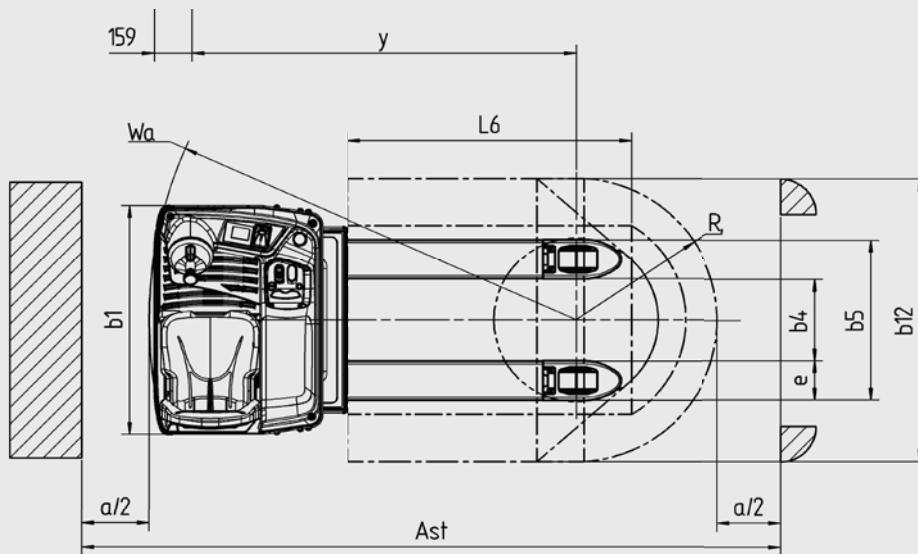
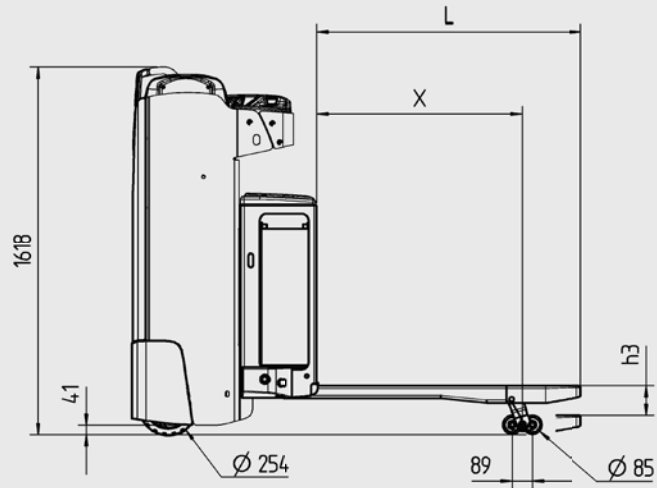
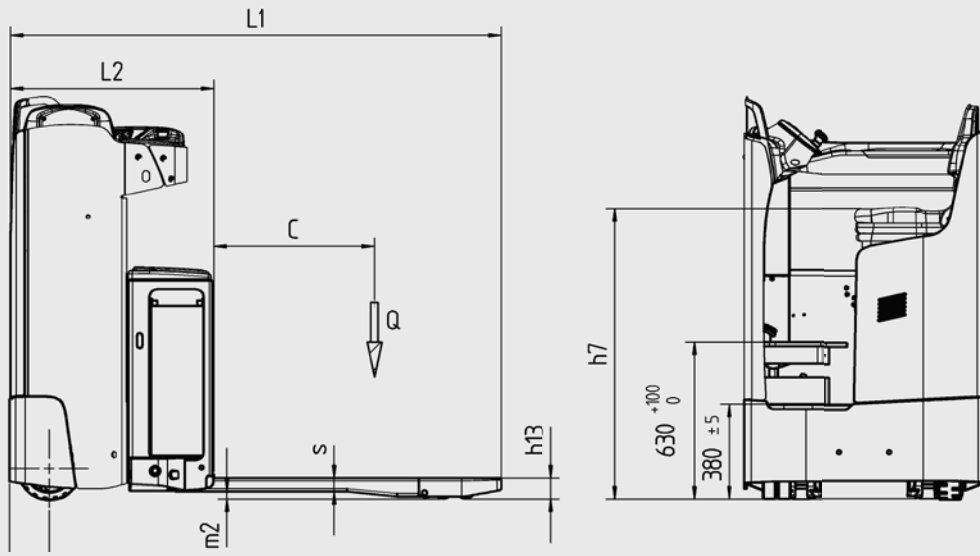
Bluetooth USB Stick

Li-ION technology:

4PzSL compartment: 4.5 kWh - 9 kWh (205 Ah - 410 Ah)

Li-ION charger:

24V-Charger v255: 4.5 kWh (full charging time 1h30 min) - 9.0 kWh (2h40 min)





FEATURES

Ergonomics

- 90° Side-stance seating posture ensures excellent visibility in both directions of travel
- Spacious operator's compartment
- Padded armrest for optimum comfort when operating the truck



AC drive motor

- Powerful, 3 kW maintenance-free AC drive motor
- Moisture and dust proof
- Maximum 15% gradient performance (laden)
- No roll back on gradient starts
- High torque motor negotiates loading docks with ease
- Motor cover swings out with operator seat

Handling

- Chassis width $b_1 = 970$ mm
- Initial lift = 125 mm
- High seated position for excellent visibility
- Stable 4 point configuration
- Floor compensator option

Comprehensive energy solutions

- 24V batteries: capacities from 345 Ah (3PzS) to 500 Ah (4PzS)
- 24V high batteries: capacities from 420 Ah (3PzS) to 620 Ah (4PzS)
- Li-ION batteries with 45 kWh (205 Ah) and 9.0 kWh (410 Ah)

Drive control and settings

- Compact steering wheel integrated into the console
- Traction speed automatically reduces in relation to the steering angle
- ECO-Mode up to 12% energy savings to finish shift with low battery status



Workstation

- Multifunctional instrument display with easy ergonomic menu
- Truck access control by PIN code or ignition key
- Easy access to all operating controls incorporated in the console
- Emergency isolator

Multiple sitting position

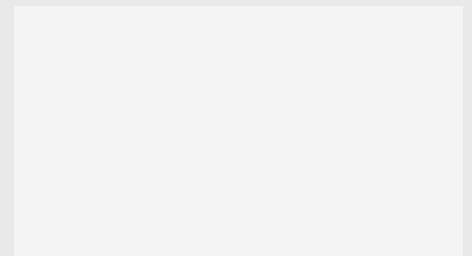
- Three independent adjustments systems: backrest adjustable, length adjustable, weight adjustable for operator's comfort
- Adjustable floor plate to suit individual operator's preferences
- Standard fabric seat or leather seat available
- Additional head support

Twin or single pedal

- Seamless and effortless forward/reverse selection provides outstanding traction control and places minimal demands on operator
- The left foot is safely protected within the chassis contours
- The operator is able to maintain high levels of efficiency and productivity

Subject to modification in the interest of progress. Illustrations and technical details could include options and not binding for actual constructions. All dimensions subject to usual tolerances.

Presented by:



Linde Material Handling GmbH
Postbox 10 0136 | 63701 Aschaffenburg | Germany
Phone + 49 6021 99 0 | Fax + 49 6021 99 15 70
www.linde-mh.com | info@linde-mh.com

Printed in Germany 777.e.0,2.0618.IndA.Ki